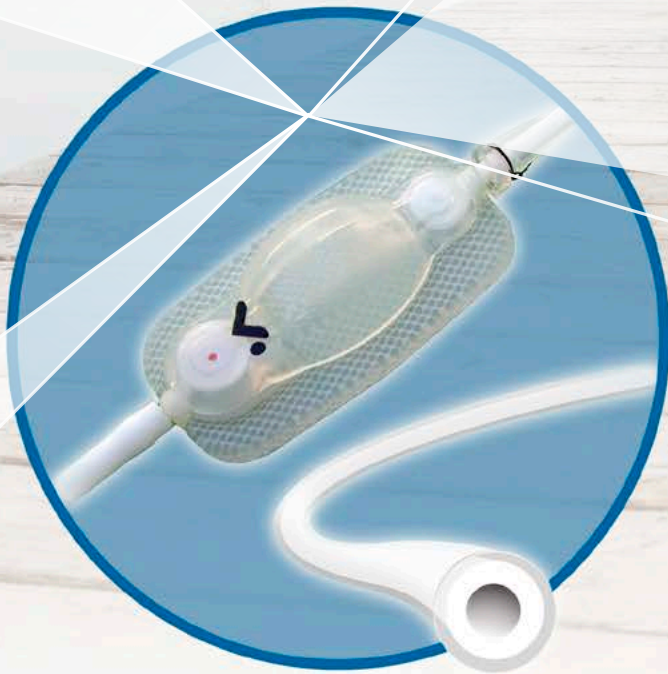




**Medtronic**

# Strata<sup>®</sup> NSC Lumboperitoneal Shunt

INNOVATIVE TECHNOLOGY FOR CSF DISORDERS



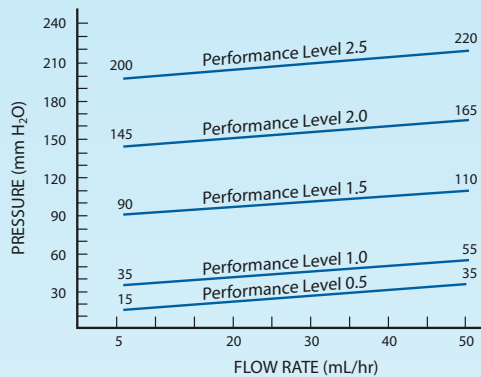
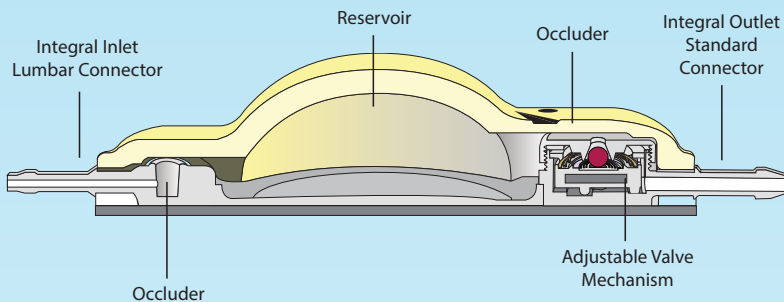
*The adjustable valve solution  
for treating Idiopathic  
Intracranial Hypertension*

**Innovating for life.**

# STRATA® NSC LUMBO

**The Strata® NSC LP Valve** is sized for subcutaneous placement in a lumboperitoneal (LP) shunt. It features an integral lumbar connector and strain relief for easy, non-kinking attachment of the proximal lumbar catheter. The peritoneal catheter includes a small (0.7 mm) inner lumen to preserve distal shunt resistance, as well as a radiopaque inner core and translucent wall to minimize tissue contact with barium.

*Postoperative adjustment and verification of the Strata® NSC LP Valve requires the use of the StrataVarius® Adjustment System. Ref. No. 45806*



## ORDERING INFORMATION

**Strata NSC LP Shunt Kit with Closed Tip Lumbar Catheter**  
REF No. 44420

**Strata NSC LP Shunt Kit with Open Tip Lumbar Catheter**  
REF No. 44421

**Strata NSC LP Shunt Kit with Closed Tip Lumbar Catheter and Integral Peritoneal Catheter, Small Lumen**  
REF No. 44430

**Strata NSC LP Valve**  
REF No. 44465

# PERITONEAL SHUNT

## The Strata NSC Lumboperitoneal Shunt System

provides continued cerebrospinal fluid flow from the subarachnoid space into the peritoneal cavity. The Strata NSC Lumboperitoneal Valve allows the physician to non-invasively adjust the pressure/flow performance level pre-and post-implantation in order to address changing patient needs. The Strata NSC Lumboperitoneal Shunt System is designed for management of communicating hydrocephalus and may be used in treatment of idiopathic intracranial hypertension (pseudotumor cerebri) when shunting is an option.



### Strata® Adjustment Tools

- Locator Tool, Indicator Tool, Adjustment Tool

### StrataVarius® Adjustment System

- Hand-held adjustment tool for left- or right-hand use
- Built-in adjustment magnet and LCD readout screen
- Portal for valve palpation and magnetic valve adjustment
- Provides numeric interpretation (mm H<sub>2</sub>O) of the valve's performance level setting with included Smart Card
- Powered by two AA batteries



Valve location and centering



Performance level verification

*Examples of readouts from the hand-held StrataVarius® Adjustment System*

### ORDERING INFORMATION

#### StrataVarius® Adjustment System

REF No. 45806

#### Strata® Adjustment Tools

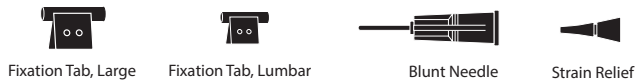
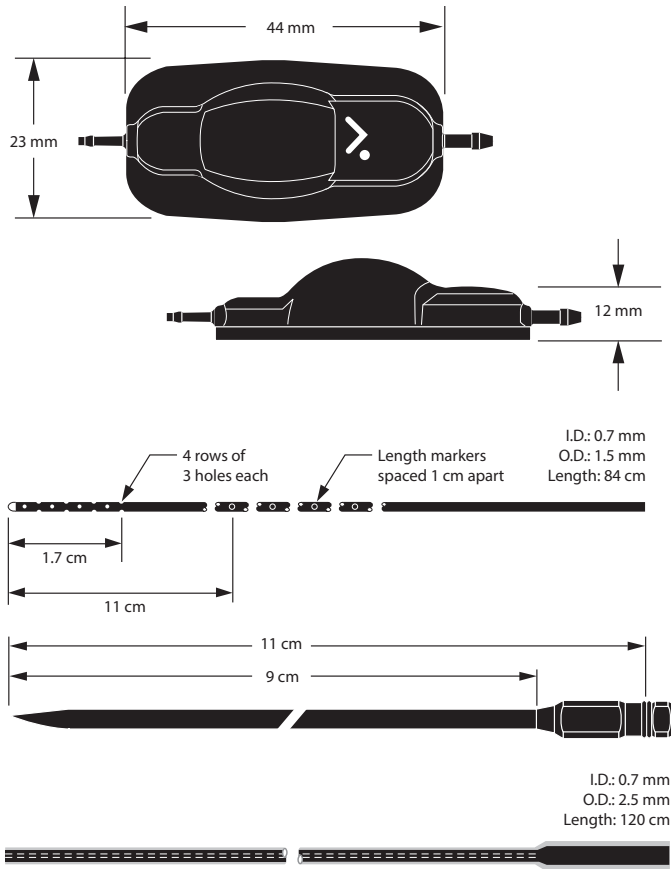
REF No. 45805

# Strata® NSC LP Shunt Kit with Closed Tip Lumbar Catheter

REF No. 44420

## Included with product:

- Strata NSC Lumboperitoneal Valve
- Lumbar Catheter, Closed Tip, Barium Impregnated
- Peritoneal Catheter, Small Lumen, Open End, Radiopaque, with Translucent Wall, 120 cm
- Touhy Needle, 14-Gauge, 9 cm, with Huber Tip
- Fixation Tab, Lumbar (2)
- Fixation Tab, Large (1)
- Blunt Needle, 20-Gauge
- Guidewire with Adjustable Stop
- Strain Relief



*The Strata valve has been tested to be MR Conditional, that is, exposure of the valve to 3 Tesla MRI will not damage the valve, but may change the valve pressure setting. Therefore, immediately after MRI exposure, the valve pressure setting needs to be checked by a neurosurgeon or attending physician.*

[www.medtronicneurosurgery.com](http://www.medtronicneurosurgery.com)

### Medtronic, Inc.

Surgical Technologies, Neurosurgery  
125 Cremona Drive • Goleta, CA 93117-5500 USA  
(800) 468-9710 USA/Canada  
(901) 344-0645 International  
(800) 468-9713 FAX  
(901) 396-2698 FAX International

### International Telephone Numbers

Australia 1800-668-670  
Belgium 32-2456-09-09  
Canada 1800-217-1617  
China 86-21-50800998  
France 33-155-381-700  
Germany 49-2159-81490  
Hong Kong 852-2919-1312  
India 91-22-26836733  
Italy 39-02-24137-324  
Japan 81-3-6430-2017

Korea 82-2-3404-3600  
Lebanon 961-1-370-670  
Luxembourg 32-2456-09-09  
Netherlands 31-45-566-8371  
Poland 48-22-465-6942  
Portugal 351-21-724-51-28  
Spain 34-91-625-05-40  
UK 44-1923-205-168  
USA 1-901-344-0645

Rx only. Refer to product instruction manual/package insert for instructions, warnings, precautions, and contraindications. For further information, please contact Medtronic ST Neurosurgery at (877) 242-9504, and/or consult Medtronic's website at [www.medtronicneurosurgery.com](http://www.medtronicneurosurgery.com).

